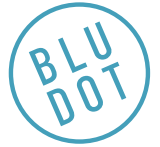
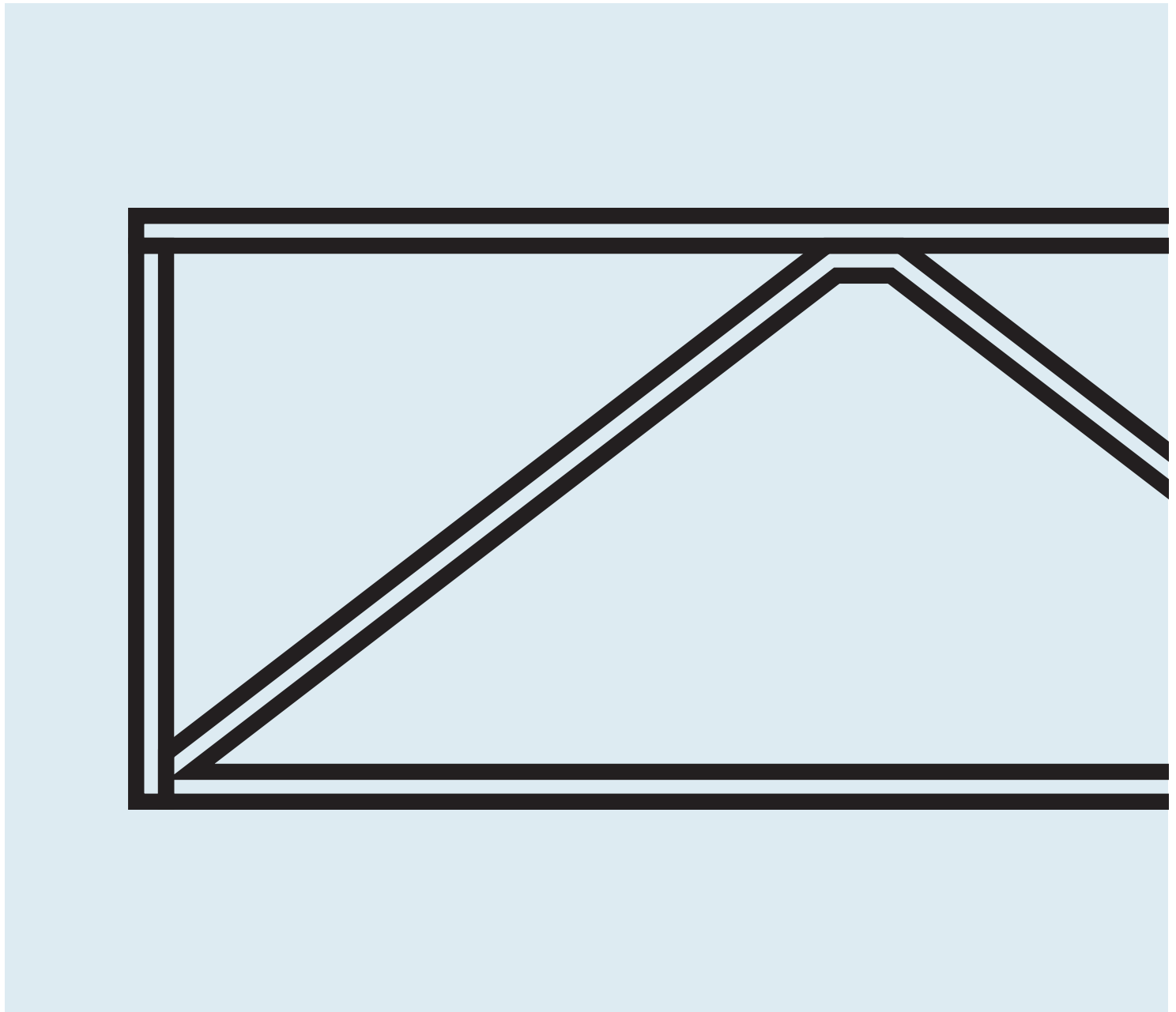


# Strut Outdoor Table Collection



DESIGNED IN 2005

ASSEMBLY NOTES | REV 05



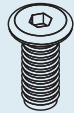
## GET OUT.

Structure and design are one with the Strut.  
A proud stance for any gathering.

## NEED A HAND?

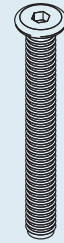
Contact us at [service@bludot.com](mailto:service@bludot.com) or  
**844.425.8368** for assistance.

# Parts & Hardware



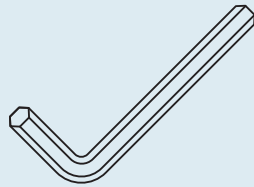
QTY 10

PT. 1083



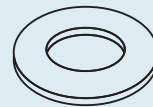
QTY 1 | 2\*

PT. 1067



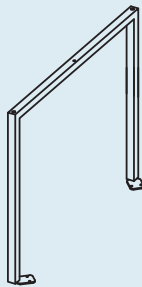
QTY 1

PT. 9004



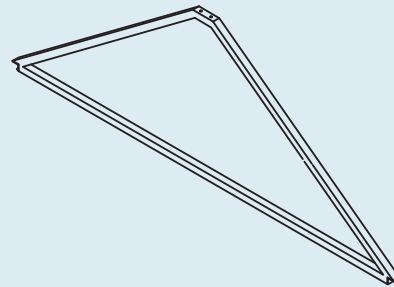
QTY 11 | 12\*

PT. 3002



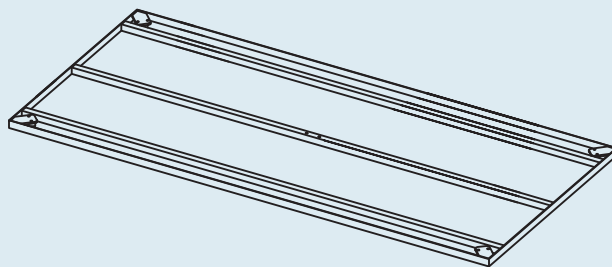
QTY 2

Leg Frame



QTY 1

Strut Support



QTY 1

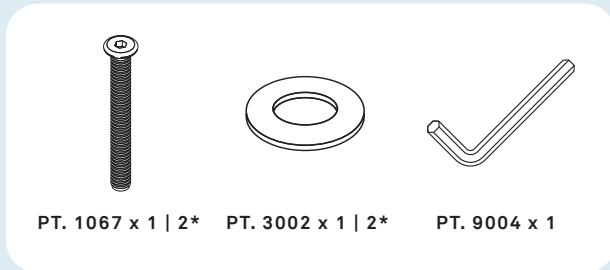
Top

\*Outdoor dining table ships with x1 additional hardware.

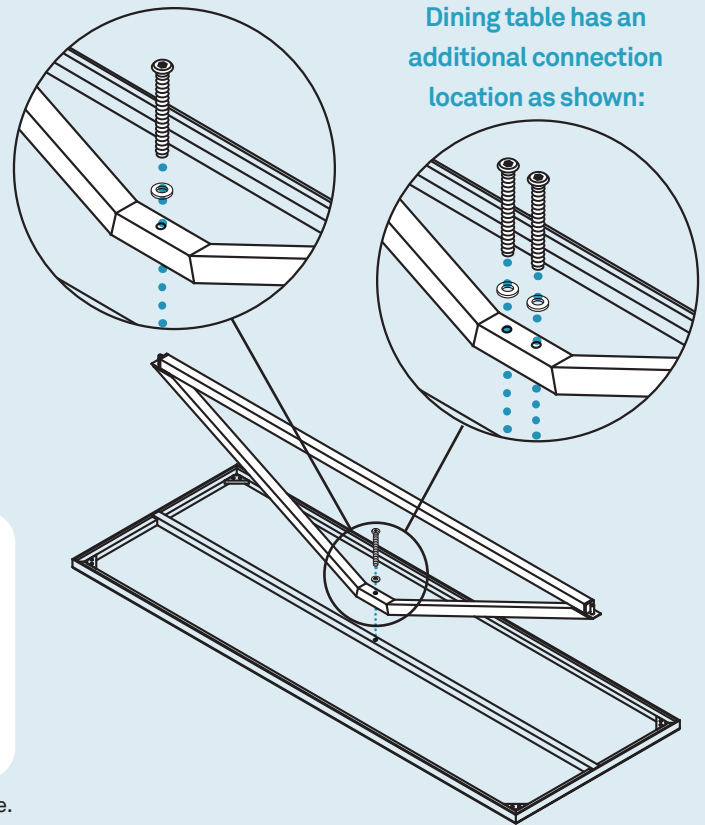
# Step 01

## ATTACHING THE CENTER SUPPORT.

Place the top face of the top panel on a soft surface. Attach the center strut support as shown using the provided hardware.



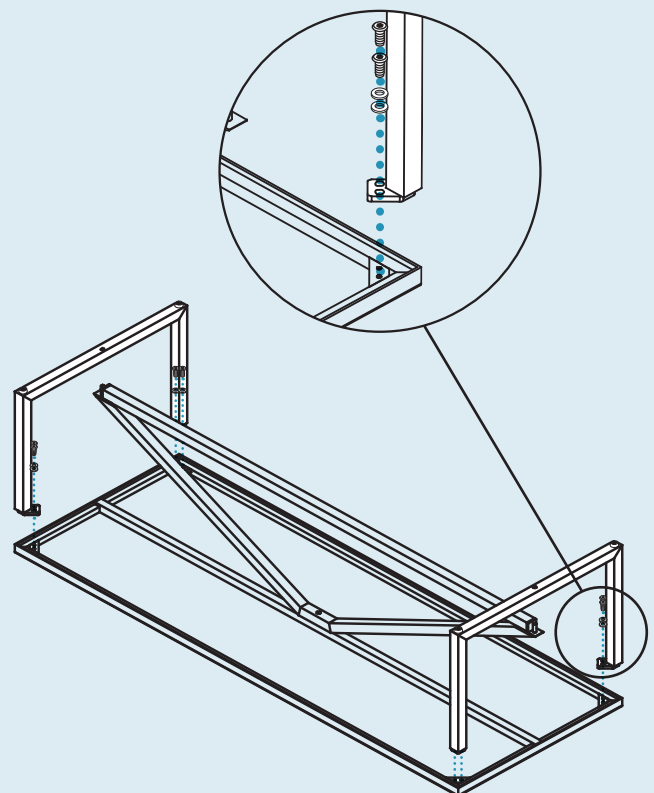
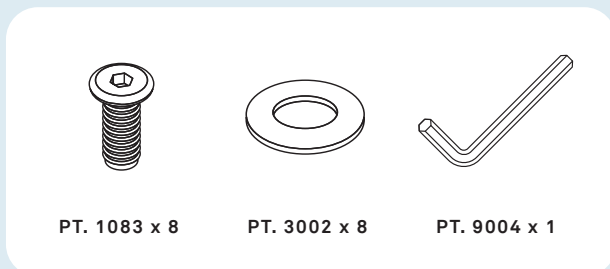
\*Outdoor dining table ships with x1 additional hardware.



# Step 02

## ATTACHING THE LEG FRAMES.

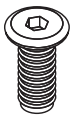
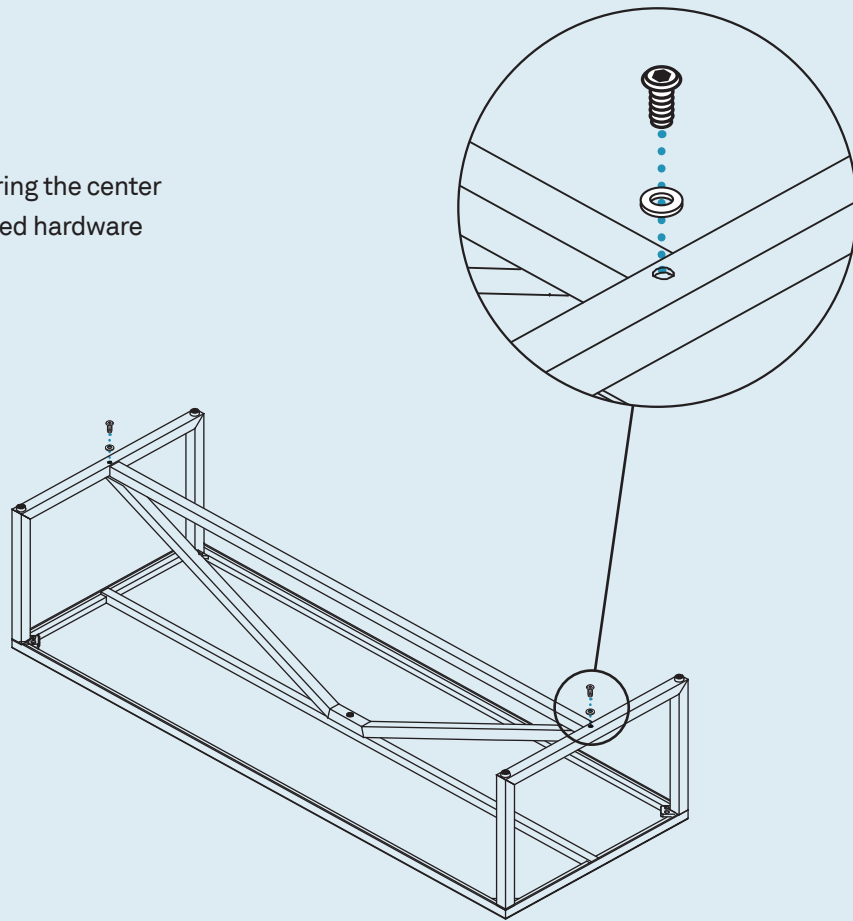
Attach the leg frames as shown using the provided hardware.



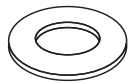
## Step 03

### FINISHING THE ASSEMBLY.

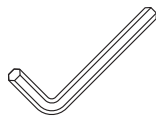
Finish the assembly by securing the center strut support with the provided hardware as shown.



PT. 1083 x 2



PT. 3002 x 2



PT. 9004 x 1

## Additional Information

### CLEAN

Clean with a slightly damp, soft cloth. To remove dirt and fingerprints, use a quality cleaner formulated for painted furniture. Wipe completely dry with a soft cloth.

